

POOL SURROUND EQUIPMENT



- 18 • Pool Access - AstralPool Signature ladders
- 20 • Pool access - Ladders
- 26 • Pool access - Exit grab rails
- 29 • Pool access - Accessories
- 30 • Access ladders for disabled persons
- 32 • Grab rails
- 33 • Handrails
- 34 • Handrail brackets
- 36 • Life saving accessories
- 37 • Lifeguard chairs
- 38 • Diving & Springboards
- 40 • Slides
- 42 • AstralPool Signature Showers
- 43 • Showers
- 50 • Shower Tunnels
- 50 • Outdoor footwash
- 51 • Showers - Shower trays
- 52 • Overflow gratings
- 57 • Safety barriers
- 58 • Wooden decking



POOL ACCESS - ASTRALPOOL SIGNATURE LADDERS

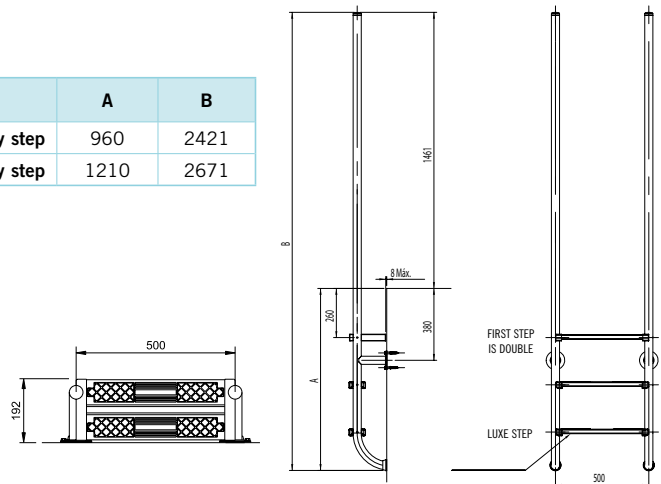


new Elegance ladders

Elegantly designed stepladders with vertical bars that provide easier access to the pool. Manufactured in AISI 316 with 2 anchors. The ladders incorporates a double step with non-slip material for added safety and comfort. Available in 3 or 4 steps. Two versions of the Signature range with IPE wood and wood-free version. The stylized version with IPE wood is a perfect complement for the rest of Pluvium range. Wood quality and durability, comfortable to hold. Both models come with a 3 years guarantee.

	Code	Standard Packaging	Standard Weight kg	Standard Volume m ³
Elegance Inox				
3 steps ladder	45782	1	6.651	0.109
4 steps ladder	45783	1	7.651	0.084
Elegance Ipé - Inox				
3 steps ladder	45900	1	8.151	0.103
4 steps ladder	45901	1	8.751	0.113

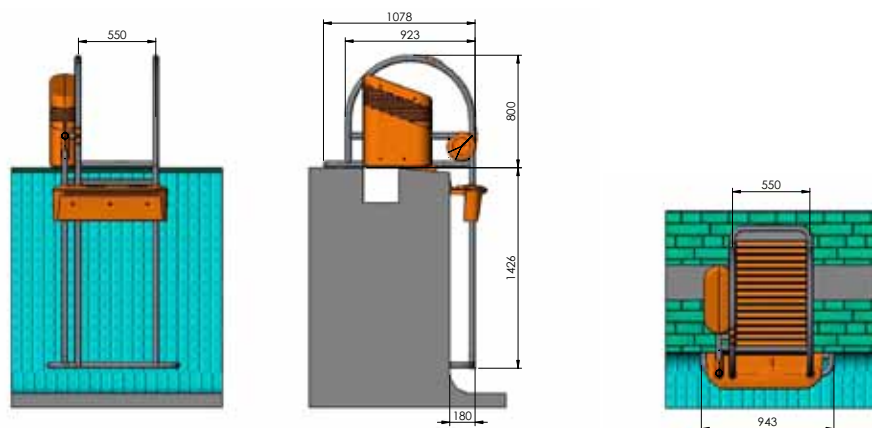
Code	Code	Steps	A	B
45782	45900	2 + 1 safety step	960	2421
45783	45901	3 + 1 safety step	1210	2671



Waterlift

Made of Stainless Steel AISI-316 and injected plastic parts. Easy to use and maintain. Automatic lifting device driven by a 24v cc single phase motor reducer. IP-67 isolation for all the electrical and electronic components. The different components are controlled by an electronic plate. The system is operated by two push-button (up and down) placed on the rail. Ergonomic and functional design.

Code	Standard Packaging	Standard Weight kg	Standard Volume m ³
32409	1	-	-



POOL ACCESS - ASTRALPOOL SIGNATURE LADDERS



Komfort 650 ladders

new

Ladder for domestic or commercial pools with the new Komfort step, which allows fixing to the rails without the need for screws. The Komfort step provides better safety, resistance and a wider support surface that reduces strain and makes it easier to get in and out of the pool. Handrails in polished Stainless Steel 43 mm.

	Code	Standard Packaging	Standard Weight kg	Standard Volume m ³
Komfort 650 - 3 steps	43269	1	-	-
Komfort 650 - 4 steps	43270	1	-	-



Komfort 1000 ladders for overflow pools

new

Ladder for domestic or commercial deck level pools with the new Komfort step, which allows fixing to the rails without the need for screws. The Komfort step provides better safety, resistance and a wider support surface that reduces strain and makes it easier to get in and out of the pool. Handrails in polished Stainless Steel 43 mm.

	Code	Standard Packaging	Standard Weight kg	Standard Volume m ³
Komfort 1000 - 3 steps	42867	1	-	-
Komfort 1000 - 4 steps	42868	1	-	-

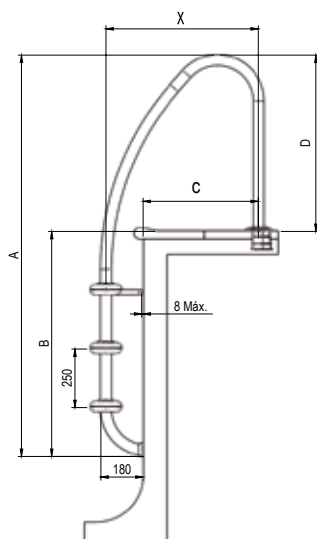


Komfort Split ladders

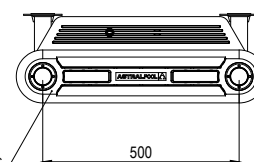
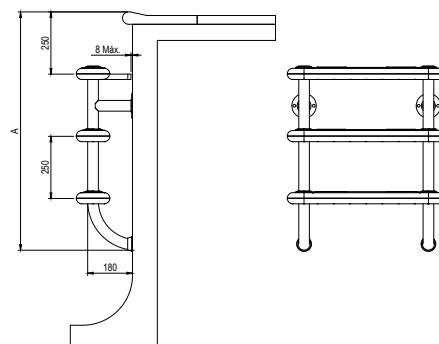
new

Undercover ladder with flange fixings for the top only, handrails in polished Stainless Steel 43 mm.

	Code	Standard Packaging	Standard Weight kg	Standard Volume m ³
Komfort split 3 steps	41324	1	-	-
Komfort split 4 steps	41325	1	-	-



Code	X	A	B	C	D
43269	650	1710	960	492	750
43270	650	1960	1210	492	750
42867	1000	1710	960	842	750
42868	1000	1960	1210	842	750



Step in anti-slip plastic

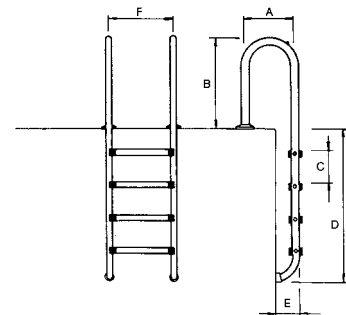
POOL ACCESS - LADDERS

Wall model ladders with handrails



Ladders for embedded pools. Handrails in polished Stainless Steel (Ø 43 mm) tube. Steps in Stainless Steel and plastic. Its perfect design assures anti-slip security. Complete with anchoring fixtures and earthing connection.

Steps	A	B	C	D	E	F
2	350	620	250	710	180	500
3	350	620	250	960	180	500
4	350	620	250	1210	180	500
5	350	620	250	1460	180	500



Wall model ladder with Luxe model steps

Rails & steps in AISI-316.

	Code	Standard Packaging	Standard Weight kg	Standard Volume m ³
2 steps ladder	05480	1	9.0	0.05
3 steps ladder	05481	1	10.5	0.06
4 steps ladder	05482	1	12.4	0.06
5 steps ladder	05483	1	13.7	0.07



Wall model ladder with Standard model steps

Rails & steps in AISI-304.

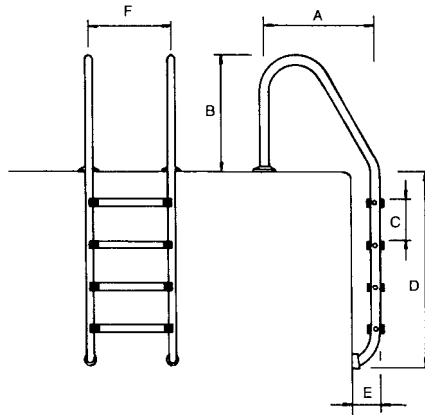
	Code	Standard Packaging	Standard Weight kg	Standard Volume m ³
2 steps ladder	05492	1	9.0	0.05
3 steps ladder	05493	1	12.7	0.06
4 steps ladder	05494	1	14.8	0.06
5 steps ladder	05495	1	13.6	0.07

POOL ACCESS - LADDERS

Standard model ladders with handrails

Ladders for embedded pools. Handrails in polished Stainless Steel (Ø 43 mm) tube. Steps in Stainless Steel and plastic. Its perfect design assures anti-slip security. Complete with anchoring fixtures and earthing connection.

Steps	A	B	C	D	E	F
2	650	620	250	710	180	500
3	650	620	250	960	180	500
4	650	620	250	1210	180	500
5	650	620	250	1460	180	500



Standard ladder with Luxe model steps

Rails & steps in AISI-316.

	Code	Standard Packaging	Standard Weight kg	Standard Volume m ³
2 steps ladder	05476	1	9.8	0.07
3 steps ladder	05477	1	11.5	0.08
4 steps ladder	05478	1	14.0	0.08
5 steps ladder	05479	1	15.0	0.10



Standard ladder with Standard model steps

Rails & steps in AISI-304.

	Code	Standard Packaging	Standard Weight kg	Standard Volume m ³
2 steps ladder	05488	1	9.6	0.07
3 steps ladder	05489	1	12.0	0.08
4 steps ladder	05490	1	15.0	0.09
5 steps ladder	05491	1	15.0	0.09



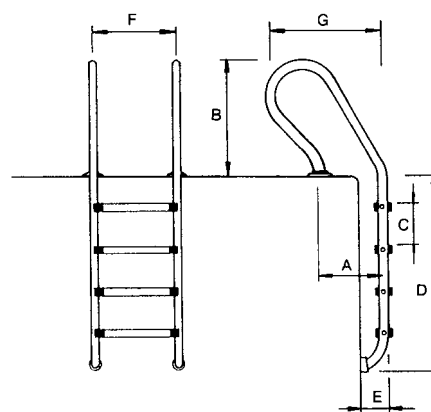
POOL ACCESS - LADDERS

Mixed model ladders with handrails



Ladders for embedded pools. Handrails in polished Stainless Steel (Ø 43 mm) tube. Steps in Stainless Steel and plastic. Its perfect design assures anti-slip security. Supplied with anchoring fixtures and earthing connections.

Steps	A	B	C	D	E	F	G
2	350	620	250	710	180	500	522
3	350	620	250	960	180	500	522
4	350	620	250	1210	180	500	522
5	350	620	250	1460	180	500	522



Mixed model ladder with Luxe model steps

Rails & steps in AISI-316.

	Code	Standard Packaging	Standard Weight kg	Standard Volume m ³
2 steps ladder	05484	1	9.7	0.07
3 steps ladder	05485	1	11.5	0.08
4 steps ladder	05486	1	12.6	0.09
5 steps ladder	05487	1	14.8	0.09



Mixed model ladder with Standard model steps

Rails & steps in AISI-304.

	Code	Standard Packaging	Standard Weight kg	Standard Volume m ³
2 steps ladder	05496	1	9.7	0.07
3 steps ladder	05497	1	11.4	0.08
4 steps ladder	05498	1	15.3	0.09
5 steps ladder	05499	1	14.8	0.10

POOL ACCESS - LADDERS

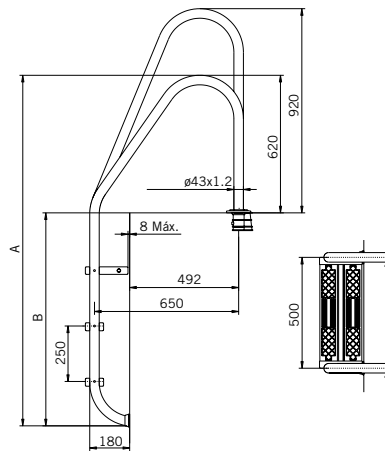


Standard asymmetrical model

Standard model ladder for embedded pools. Handrails in polished Stainless Steel (Ø 43 mm) pipe. Complete with anchoring fixtures and earthing connection. Rails and non-slip LUXE steps in AISI-316. Its design assures safety against any slipping or cuts.

	Code	Standard Packaging	Standard Weight kg	Standard Volume m ³
1 step "Luxe" + 1 double safety step	19938	1	13.0	0.07
2 steps "Luxe" + 1 double safety step	19939	1	13.9	0.08
3 steps "Luxe" + 1 double safety step	19940	1	15.8	0.10
4 steps "Luxe" + 1 double safety step	19941	1	17.0	0.10

Code	Steps	A	B
19938	2	1330	710
19939	3	1580	960
19940	4	1830	1210
19941	5	2080	1460

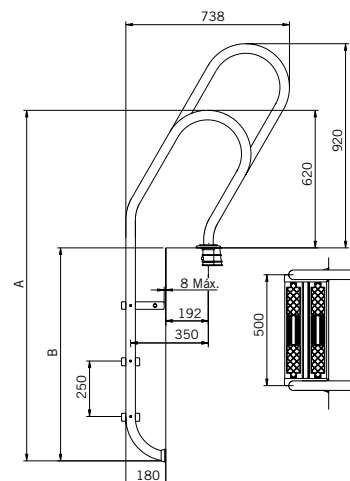


Mixed asymmetric model

Mixed model ladder for embedded pools. Handrails in polished Stainless Steel (Ø 43 mm) pipe. Its design assures safety against any slipping or cuts. Supplied with anchoring fixtures and earthing connection. Rails and non-slip LUXE steps in AISI-316.

	Code	Standard Packaging	Standard Weight kg	Standard Volume m ³
2 steps "Luxe" + 1 double safety step	19943	1	14.0	0.08
3 steps "Luxe" + 1 double safety step	19944	1	15.6	0.09
4 steps "Luxe" + 1 double safety step	19945	1	17.5	0.10

Code	Steps	A	B
19943	3	1580	960
19944	4	1830	1210
19945	5	2080	1460



POOL ACCESS - LADDERS



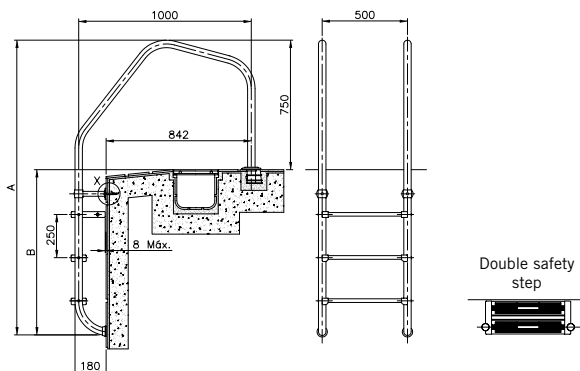
Overflow 1000 model

Ladder width 500 mm. Handrails in polished Stainless Steel (Ø 43 mm) pipe. With anchoring fixtures and earthing connection. Manufactured in accordance to EN 13451-1 and EN 13451-2 Standards. Rails and non-slip steps in AISI-316.

- 1 step "Luxe" + 1 double safety step
- 2 steps "Luxe" + 1 double safety step
- 3 steps "Luxe" + 1 double safety step
- 4 steps "Luxe" + 1 double safety step

Code	Steps	A	B
07514	2	1460	710
07515	3	1710	960
07516	4	1960	1210
07517	5	2210	1460

Code	Standard Packaging	Standard Weight kg	Standard Volume m ³
07514	1	13.2	0.57
07515	1	15.3	0.57
07516	1	17.1	0.18
07517	1	19.2	0.20



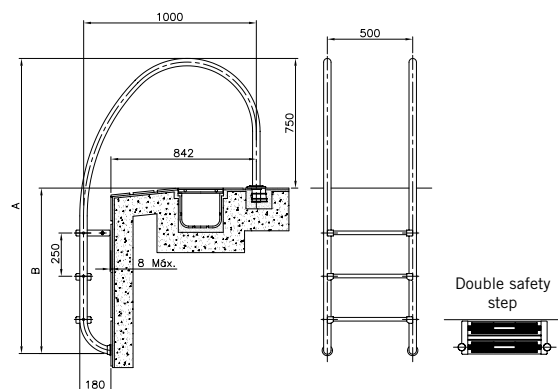
Ladder for overflow pool

A new feature of this ladder is the variable radius of the curve in the grip section giving a more modern and attractive appearance. Steps with a width of 500 mm and made according to European Standards EN 13451-1 and EN-13451-2. Easily installed. Handrails Ø 43 mm x 1.5 mm and steps in AISI-316 with polished finish. With anchoring fixtures and earth connection.

- 2 steps ladder
- 3 steps ladder
- 4 steps ladder
- 5 steps ladder

Code	Steps	A	B
32653	2	1460	710
32654	3	1710	960
32655	4	1960	1210
32656	5	2210	1460

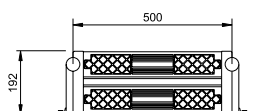
Code	Standard Packaging	Standard Weight kg	Standard Volume m ³
32653	1	13.2	0.158
32654	1	16.2	0.180
32655	1	17.1	0.202
32656	1	19.2	0.217



Double non-slip safety step

Complies with EN 13451-1 and EN 13451-2 Standards. Steps in AISI-316 with polished finish. Suitable for all inground ladder models.

Code	Standard Packaging	Standard Weight kg	Standard Volume m ³
07603	1	2.05	0.003



POOL ACCESS - LADDERS



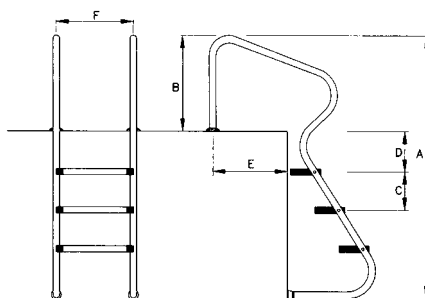
Easy access model

Ladder width 500 mm. Complies with EN 13451-1 and EN 13451-2 European Standards. Handrails in polished Stainless Steel (Ø 43 mm) pipe. With anchoring fixtures and earthing connection. With double safety steps and increased overall height in accordance to BS EN 13451 Standard. Rails and non-slip steps in polished AISI-316.

	Code	Standard Packaging	Standard Weight kg	Standard Volume m ³
3 steps ladder	07782	1	21.6	0.145
4 steps ladder	11979	1	25.9	0.202



Code	Steps	A	B	C	D	E	F
07782	3	1835	750	250	243	490	500
11979	4	2085	750	250	243	490	500



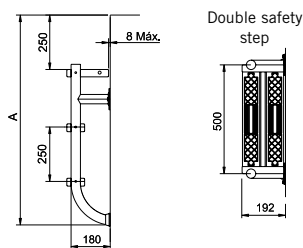
Split bottom half ladder

Complete with top and bottom flange fixings and top double safety step in accordance with EN 13451-1 and EN 13451-2 European Standards. Rails and non-slip steps in polished AISI-316. Can be used with any type of exit rails. With fixing plates, gaskets, screws and rawl plugs.

	Code	Standard Packaging	Standard Weight kg	Standard Volume m ³
1 step "Luxe" + 1 double safety step	08090	1	6.0	0.04
2 steps "Luxe" + 1 double safety step	08091	1	7.6	0.04
3 steps "Luxe" + 1 double safety step	08092	1	9.0	0.05
4 steps "Luxe" + 1 double safety step	08093	1	10.5	0.07



Code	Steps	A
08090	2	710
08091	3	960
08092	4	1210
08093	5	1460



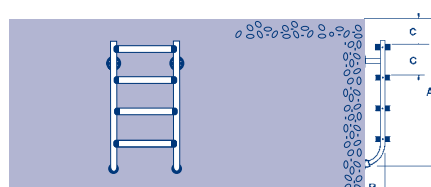
Split bottom half ladder

Rails and steps in polished Stainless Steel AISI-316. With fixing plates, gaskets, screws and rawl plugs.

	Code	Standard Packaging	Standard Weight kg	Standard Volume m ³
2 steps "Luxe"	01456	1	5.0	0.04
3 steps "Luxe"	01457	1	6.3	0.04
4 steps "Luxe"	01458	1	7.7	0.05
5 steps "Luxe"	01459	1	9.2	0.07



Code	Steps	A	B	C
01456	2	710	180	250
01457	3	960	180	250
01458	4	1210	180	250
01459	5	1460	180	250



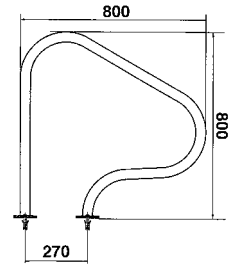
POOL ACCESS - EXIT GRAB RAILS



800 x 800 mm model

In polished S.S. AISI-316 Ø 43 mm pipe. Exit grab rails supplied as a pair including fixing plates, gaskets, screws and rawl plugs.

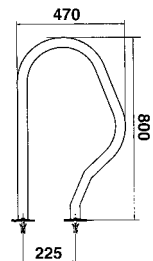
	Code	Standard Packaging	Standard Weight kg	Standard Volume m ³
With fixing plates (pair)	05541	1	9.27	0.10
For embedding (pair)	05540	1	8.40	0.10



470 x 800 mm model

In polished S.S. AISI-316 Ø 43 mm pipe. Exit grab rails supplied as a pair including fixing plates, gaskets, screws and rawl plugs.

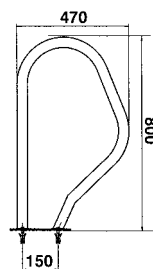
	Code	Standard Packaging	Standard Weight kg	Standard Volume m ³
With fixing plates (pair)	05542	1	6.97	0.08



470 x 800 mm model with rectangular base plate model

In polished S.S. AISI-316 Ø 43 mm pipe. Exit grab rails supplied as a pair including fixing plates, screws and rawl plugs.

	Code	Standard Packaging	Standard Weight kg	Standard Volume m ³
With fixing plates (pair)	05543	1	7.6	0.08



POOL ACCESS - EXIT GRAB RAILS

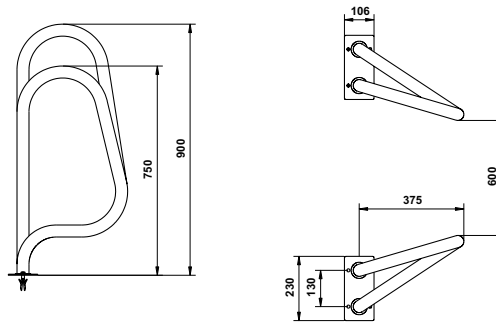


Crossover model with rectangular base plate

In polished S.S. AISI-316 Ø 43 mm pipe. Exit grab rails supplied as a pair including fixing plates, screws and rawl plugs.

With fixing plates (pair)

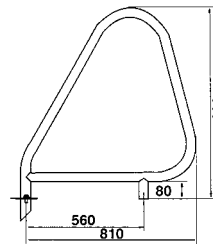
Code	Standard Packaging	Standard Weight kg	Standard Volume m ³
05544	1	8.46	0.18



Parallel model

In polished S.S. AISI-316 Ø 43 mm pipe. Exit grab rails supplied as a pair including fixing plates, gaskets, screws and plugs. For fixing with anchoring fixture code 00143 (not included).

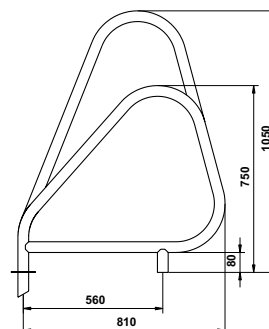
Code	Standard Packaging	Standard Weight kg	Standard Volume m ³
00110	1	10.0	0.11



Asymmetrical model

In polished S.S. AISI-316 Ø 43 mm pipe. Exit grab rails supplied as a pair including fixing plates, gaskets, screws and plugs. For fixing with anchoring fixture code 00143 (not included).

Code	Standard Packaging	Standard Weight kg	Standard Volume m ³
00111	1	10.1	0.14



POOL ACCESS - EXIT GRAB RAILS



Grab rails, fixed in and out of the water

Polished S.S. AISI-316 Ø 43 mm pipe.

For embedding

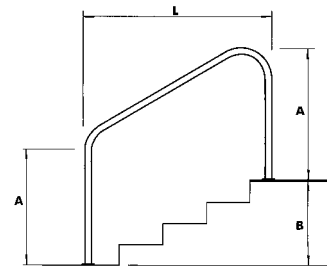
(Pair) Length 1,220 mm
(Pair) Length 1,524 mm

With flanges (gaskets, fixing plugs and screws)

(Pair) Length 1,220 mm
(Pair) Length 1,524 mm

Code	Standard Packaging	Standard Weight kg	Standard Volume m ³
00034	1	11.4	0.14
00035	1	13.0	0.16
00036	1	12.2	0.21
00037	1	13.6	0.24

L	A	B
1220	800	608
1524	800	855



Grab rail fixed out of the water

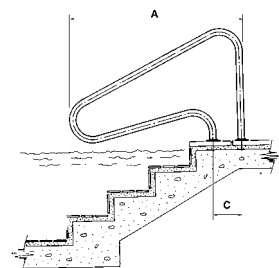
Polished S.S. AISI-316 (Ø 43 mm pipe)
1 unit

For embedding

With flanges (gaskets, fixing plugs and screws)

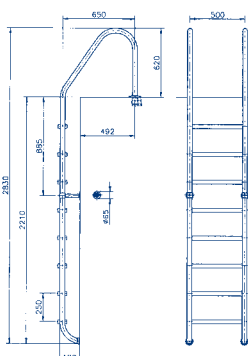
Code	Standard Packaging	Standard Weight kg	Standard Volume m ³
07780	1	6.7	0.118
07781	1	6.7	0.118

Code	A	B	C
07780	1250	800	203
07781	1250	800	203

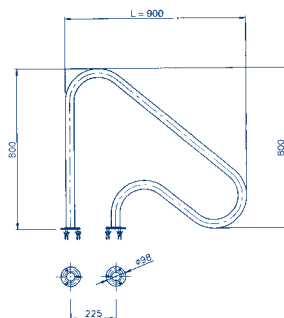


Ladders and grab rails made to measure

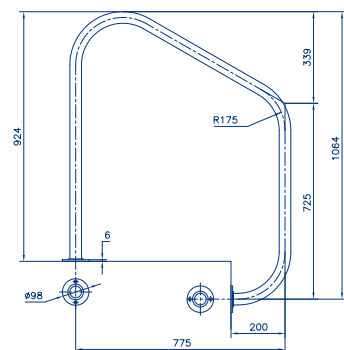
Stainless Steel ladders and handrails AISI-304 and AISI-316 can be manufactured to suit your requirements.



8 STEPS LADDER



GRAB RAIL L = 900



SPECIAL HANDRAIL

POOL ACCESS - ACCESSORIES

Ladder anchoring sockets

In plastic for Ø 43 mm pipe. With earthing connection.

Code	Standard Packaging	Standard Weight kg	Standard Volume m ³
00042	50	7.0	0.03


Ladder hinge without base plate

In polished Stainless Steel (AISI-304) for Ø 43 mm pipe.

Code	Standard Packaging	Standard Weight kg	Standard Volume m ³
00043	1	0.93	0.002


Flanged ladder hinge

In polished Stainless Steel (AISI-304) for Ø 43 mm pipe.

Code	Standard Packaging	Standard Weight kg	Standard Volume m ³
08727	1	1.0	0.002


Removable anchoring with base plate

In polished Stainless Steel (AISI-316) for Ø 43 mm pipe. Includes gaskets, screws and rawl plugs.

Code	Standard Packaging	Standard Weight kg	Standard Volume m ³
07331	1	1.00	0.003
18243	1	1.17	0.003

Set of 2 units

Set of 2 units with reinforced base plate



ACCESS LADDERS FOR DISABLED PERSONS



Hydraulic chair lift

Frame made of polished Stainless Steel AISI-316 with a central hydraulic mechanism and seat, provided also with a ladder for the assistant. For correct hydraulic operation a minimum 3.5 kg/cm² water supply pressure is required.

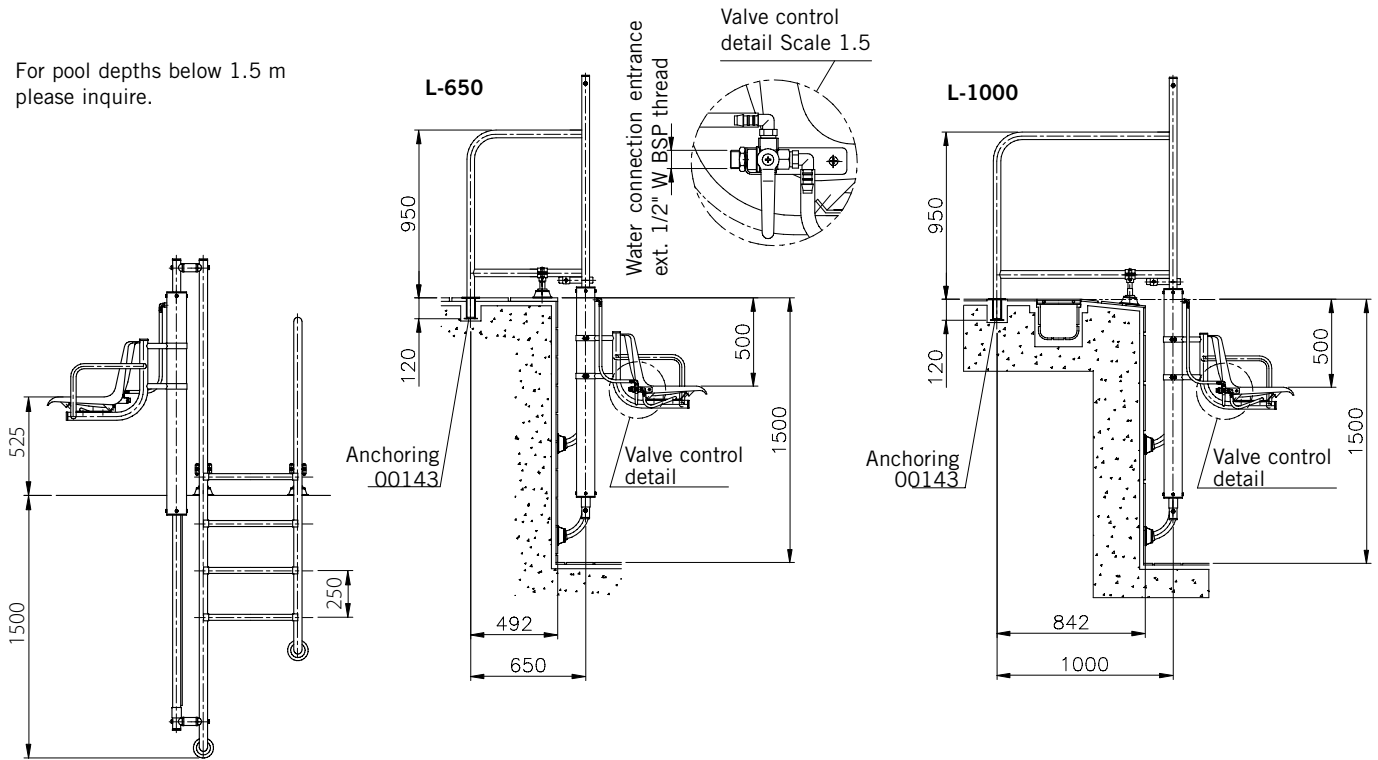
	Code	Standard Packaging	Standard Weight kg	Standard Volume m ³
Rails L-650	28619	1	-	-
Rails L-1000	28620	1	-	-
Cylinder	28621	1	-	-
Accessories	28622	1	-	-

INSTALLATION:

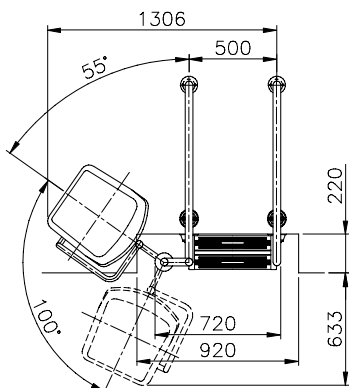
The external fixings are 2 metal anchoring fixtures (supplied with the unit) the 2 front connecting supports are adjustable allowing the height to be changed to adapt to different types of swimming pool surround.



For pool depths below 1.5 m please inquire.



Valid for both models



Valid for both models

Lift	Rails	Cylinder	Components
L-650	28619	28621	28622
L-1000	28620		

ACCESS LADDERS FOR DISABLED PERSONS

For easy entry and exit into leisure or hydrotherapy pools for people not requiring an hydraulic lift chair. Easy assembly.



500 mm width model

In polished Stainless Steel AISI-316, Ø 43 mm pipe, with plastic non-slip steps. With anchoring fixtures and earth connection.

	Code	Standard Packaging	Standard Weight kg	Standard Volume m ³
4 steps	00116	1	28.0	0.300
5 steps	00117	1	40.9	0.300
6 steps	00118	1	47.5	0.370
7 steps	00119	1	51.4	0.370
8 steps	00120	1	48.0	1.057



970 mm width model

In polished Stainless Steel AISI-316, Ø 43 mm pipe, with plastic non-slip steps. With anchoring fixtures and earth connection.

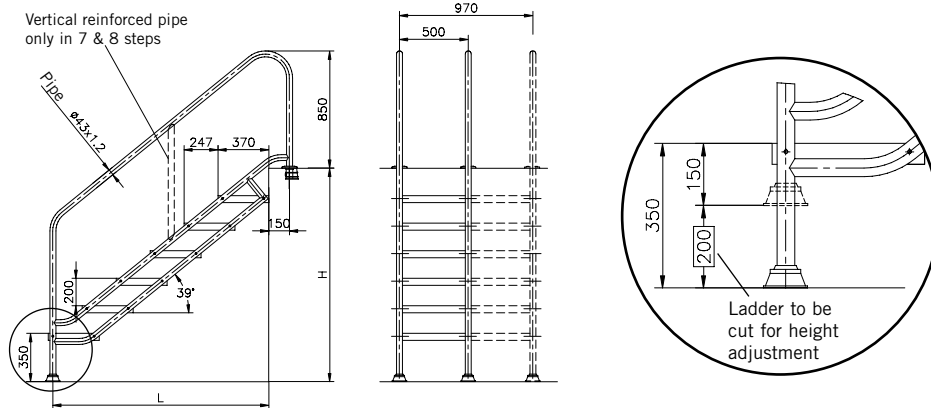
	Code	Standard Packaging	Standard Weight kg	Standard Volume m ³
4 steps	00116 + 4 Kit 28615	1	-	-
5 steps	00117 + 5 Kit 28615	1	-	-
6 steps	00118 + 6 Kit 28615	1	-	-
7 steps	00119 + 7 Kit 28615	1	-	-
8 steps	00120 + 8 Kit 28615	1	-	-

Modelo 500	Modelo 970	Steps	H	L
00116	00116 + 4 x. KIT 28615	4	950 a 1150	1075
00117	00117 + 5 x. KIT 28615	5	1150 a 1350	1325
00118	00118 + 6 x. KIT 28615	6	1350 a 1550	1570
00119	00119 + 7 x. KIT 28615	7	1550 a 1750	1820
00120	00120 + 8 x. KIT 28615	8	1750 a 1950	2065

Example:

For a 970 mm ladder with 7 steps, please order:

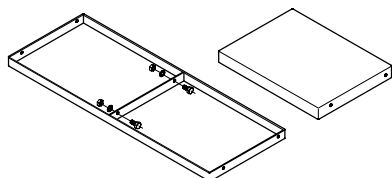
- 1 **00119**
- 7 **28615** (1 Kit per step)



Step Kit for transforming a ladder from width 500 to 970 mm

To convert a ladder from 500 mm to 970 mm. One "Step Kit" will be necessary for each of the steps of the ladder. In polished AISI-316 Stainless Steel, with plastic step with non-slip surface.

Code	Standard Packaging	Standard Weight kg	Standard Volume m ³
28615	1	5.9	0.027



POOL ACCESS - ACCESSORIES



Anchor with locking bolts



In polished Stainless Steel AISI-316. For \varnothing 43 mm pipe.

Code	Standard Packaging	Standard Weight kg	Standard Volume m ³
00143	2	1.2	0.003



Ladder foot pad



Made in plastic, angle can be adjusted by rotating the eye ball socket.

For \varnothing 43 mm pipe
For \varnothing 28 mm pipe

Code	Standard Packaging	Standard Weight kg	Standard Volume m ³
00045	50	12.6	0.03
00046	50	14.0	0.03

GRAB RAILS



Handrails in Stainless Steel



In polished S. S. AISI-316. \varnothing 43 mm pipe. **With fixing flanges** (Supplied with gaskets, fixing plugs, and screws).

	Code	Standard Packaging	Standard Weight kg	Standard Volume m ³
0.5 m	00051	2	2.8	0.02
1 m	00052	2	4.3	0.04
2 m	00053	2	7.9	0.09
2.5 m	00054	2	9.5	0.11



Tee bar



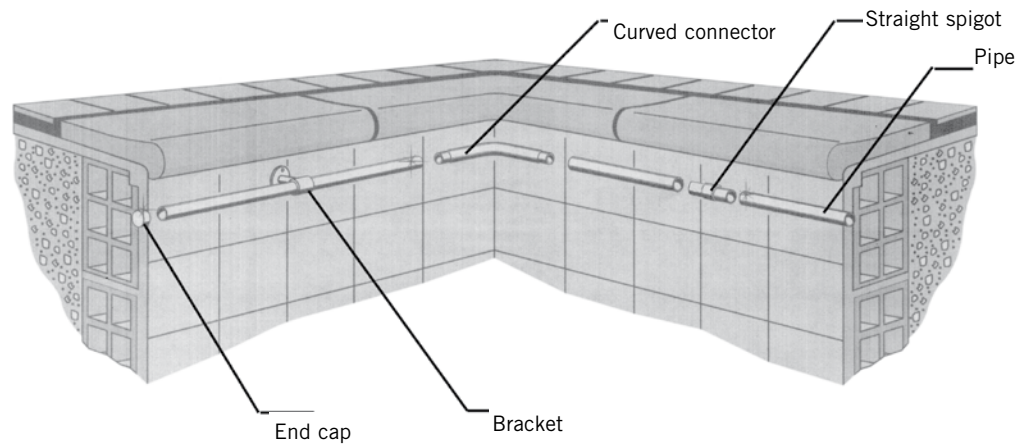
In polished S. S. AISI-316. \varnothing 43 mm pipe.

With fixing plates (Supplied with gaskets, fixing plugs, and screws)

Code	Standard Packaging	Standard Weight kg	Standard Volume m ³
00056	1	2.09	0.01

HANDRAILS

We also supply pipes and items needed to install grab rails or other decorative features around the edge of the pool.



Straight handrails

In polished Stainless Steel AISI-316. Handrail length: 1 m. Length must be specified when placing order.

	Code	Standard Packaging	Standard Weight kg	Standard Volume m ³
Ø 43 mm tubing with sealed ends	05545	1	1.5	0.002
Ø 43 mm tubing with open ends	19946	1	1.3	0.002
Ø 43 mm tubing with 1 sealed end and the other open	20092	1	1.3	0.002



Straight connector

In polished Stainless Steel AISI-316. For joining Ø 43 mm pipe.

Code	Standard Packaging	Standard Weight kg	Standard Volume m ³
09452	1	0.32	0.001



Curved connector

In polished Stainless Steel AISI-316. For joining Ø 43 mm pipe.

Code	Standard Packaging	Standard Weight kg	Standard Volume m ³
11286	1	0.3	0.001



End caps

In polished Stainless Steel AISI-316. For Ø 43 mm pipe end.

Code	Standard Packaging	Standard Weight kg	Standard Volume m ³
08014	1	0.1	0.001



HANDRAIL BRACKETS

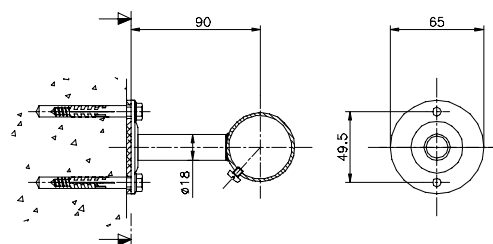
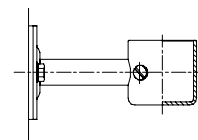


One side closed bracket

For \varnothing 43 mm pipe. In polished S.S. AISI-316. Supplied with gaskets, rawl plugs and screws.



Code	Standard Packaging	Standard Weight kg	Standard Volume m ³
07789	2	0.6	0.002

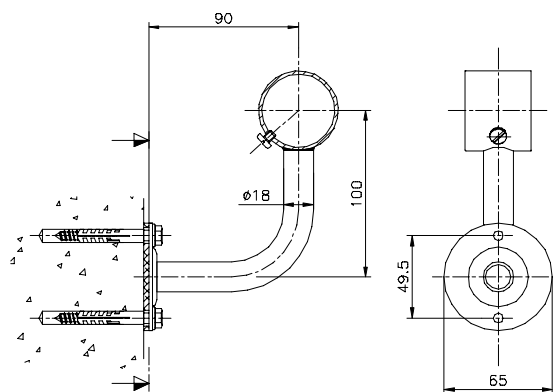


90° Angle handrail support

For \varnothing 43 mm pipe. In polished S.S. AISI-316. Supplied with gaskets, rawl plugs and screws.



Code	Standard Packaging	Standard Weight kg	Standard Volume m ³
11143	1	1.17	0.002



Fixing plate kit for liner pools

In S.S. AISI-316.



Code	Standard Packaging	Standard Weight kg	Standard Volume m ³
26172	1	0.3	0.002

HANDRAIL BRACKETS

Split bracket

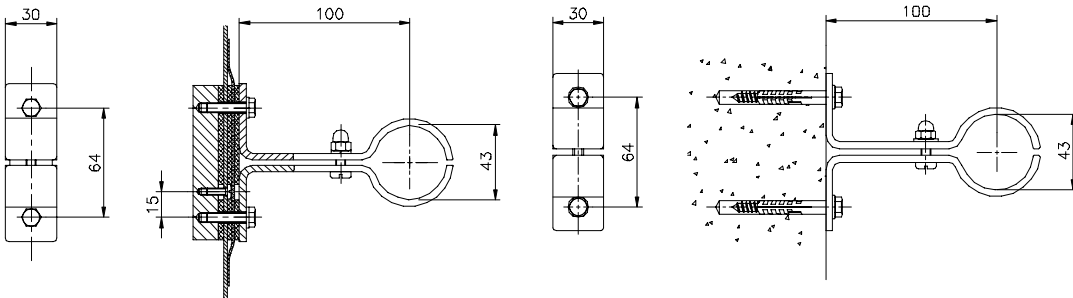
For Ø 43 mm pipe. In polished S.S. AISI-316. Supplied with rawl plugs and screws (concrete pool) & with gaskets and screws (liner pool).

	Code	Standard Packaging	Standard Weight kg	Standard Volume m ³
Concrete pool	25342	2	0.72	0.002
Liner pool	28618	2	1.40	0.002



28618

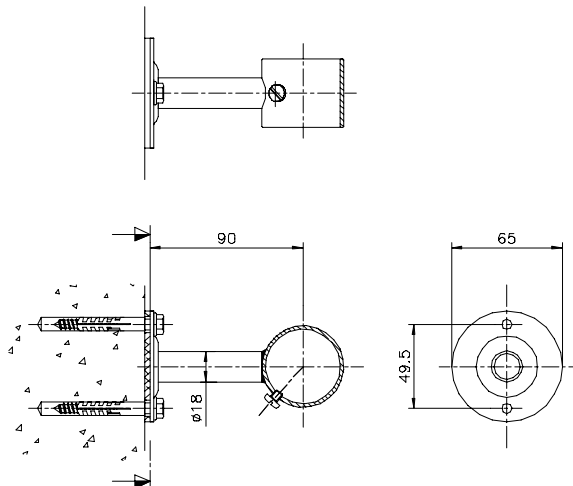
25342



Straight bracket with base plate

For Ø 43 mm pipe. In polished S.S. AISI-316. Supplied with gaskets, rawl plugs, and screws.

Code	Standard Packaging	Standard Weight kg	Standard Volume m ³
08013	2	0.5	0.002



LIFE SAVING ACCESSORIES



Lifebuoy holder

In Stainless Steel AISI-304. For use with telescopic handles 01361, 01362, 01363, & 15838.



Code	Standard Packaging	Standard Weight kg	Standard Volume m ³
01368	1	1.46	0.03



Lifebuoy

Made of Styropor covered with orange canvas, outer 700 mm.



Code	Standard Packaging	Standard Weight kg	Standard Volume m ³
01369	6	18.0	0.330



Lifebuoy holder

In Stainless Steel AISI-304. Designed to be hung on wall or fitted on to a lifebelt holder post (code 01371). Supplied with anchor plugs and screws.



Code	Standard Packaging	Standard Weight kg	Standard Volume m ³
01370	1	1.16	0.01



Lifebelt holder post

In AISI-304 Stainless Steel, Ø 43 mm. Base plate with 3 holes. Supplied with gaskets, anchor plugs and screws.



Code	Standard Packaging	Standard Weight kg	Standard Volume m ³
01371	1	3.0	0.01

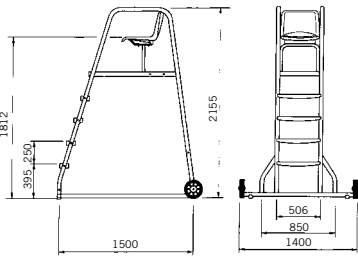
LIFEGUARD CHAIRS



Lifeguard chair

Made in Stainless Steel AISI-304, Ø 43 mm pipe. With dismantlable base plate. Steps, platform, chair, made of plastic. Parasol holder and lifebuoy bracket included. Optional base bar with wheels.

	Code	Standard Packaging	Standard Weight kg	Standard Volume m ³
Lifeguard chair	00109	1	55.6	0.92
Wheeled base for lifeguard chair	08730	1	8.9	0.04



SIDE

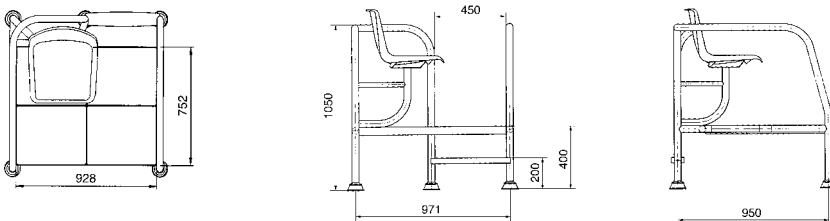
FRONT



H-400 lifeguard chair with quick access

Made in Stainless Steel AISI-304, Ø 43 mm pipe. Steps, platform, chair made of plastic. Large platform and 90° rotating seat to increase the range of vision. Ideal for children's pools, water parks or shallow areas of public pools. Includes parasol holder.

	Code	Standard Packaging	Standard Weight kg	Standard Volume m ³
	15673	1	39.6	0.66



TOP

FRONT

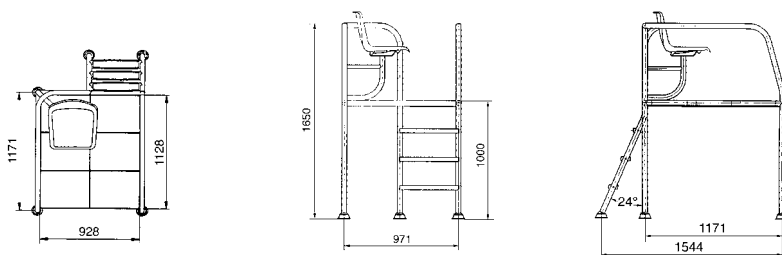
SIDE



Multipurpose H-1000 lifeguard chair

Made in Stainless Steel AISI-304, Ø 43 mm pipe. Steps, platform, chair made of plastic. Large platform and 90° rotating seat to increase the range of vision. Includes parasol holder.

	Code	Standard Packaging	Standard Weight kg	Standard Volume m ³
	15674	1	65.0	1.64



TOP

FRONT

SIDE



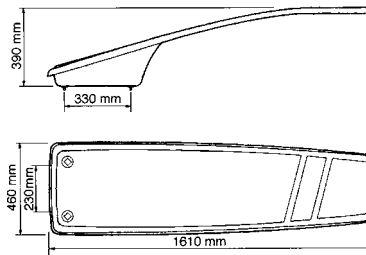
DIVING & SPRINGBOARDS

Flexible springboard Dynamic



Made of Polyester and fibreglass resistant to UV exposure and adverse weather conditions. Non-slip surface covering entire length of board. Supplied with anchoring fixtures.

	Code	Standard Packaging	Standard Weight kg	Standard Volume m ³
Length 1.61 m Width 0.46 m	21392	1	22.0	0.335

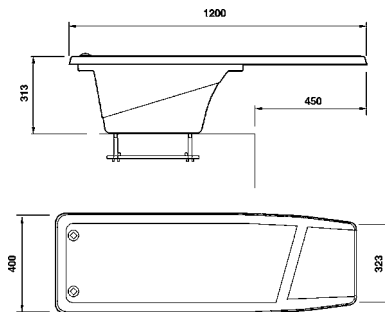


Diving board 1200 Dynamic



Made of Polyester and fibreglass resistant to UV exposure and adverse weather conditions. Non-slip surface covering entire length of board. Supplied with anchoring fixtures.

	Code	Standard Packaging	Standard Weight kg	Standard Volume m ³
Length 1.20 m Width 0.40 m	20090	1	20.0	0.325

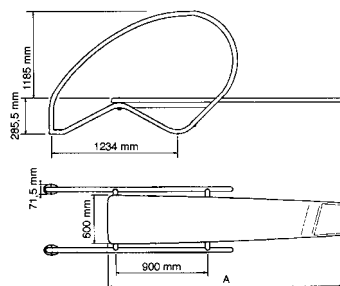


Diving board Dynamic



Board made of Polyester and fibreglass, with non-slip surface. Grab rails and supports made of Stainless Steel with matt finish. Supplied with anchoring fixtures.

	Code	Standard Packaging	Standard Weight kg	Standard Volume m ³
Length 2 m Width 0.60 m	23199	1	50.0	1.585
Length 2.30 m Width 0.60 m	23200	1	52.0	1.585



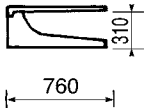
Code	A (m)
23199	2
23200	2.3

DIVING & SPRINGBOARDS

Clip model

Portable Polyester and fibreglass springboard. Ivory coloured base. Light blue coloured board.

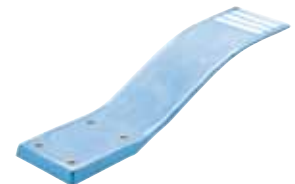
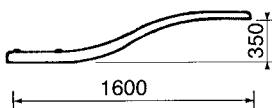
	Code	Standard Packaging	Standard Weight kg	Standard Volume m ³
Length 0.76 m Height 0.31 m Width 0.37 m	00079	1	12.0	0.108



Dolphin model

Flexible Polyester and fibreglass springboard in light blue. Supplied with anchoring fixtures.

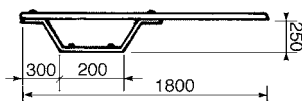
	Code	Standard Packaging	Standard Weight kg	Standard Volume m ³
Length 1.6 m. Width 0.35 m	00076	1	123.0	0.138



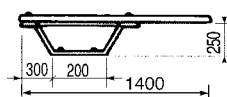
Ballesta model

Light blue Polyester and fibreglass springboard. Springboard bracket made of galvanized Steel. Supplied with anchoring fixtures.

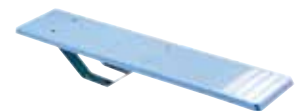
	Code	Standard Packaging	Standard Weight kg	Standard Volume m ³
Length 1.8 m Height 0.25 m Width 0.4 m	00077	1	27.0	0.084
Length 1.4 m Height 0.25 m Width 0.4 m	00078	1	25.0	0.072



Code 00077



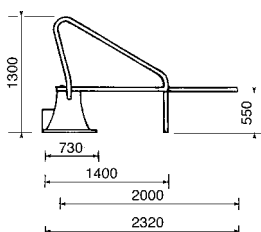
Code 00078



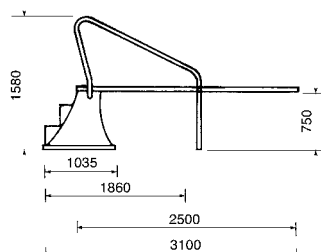
Elevado model

Base laminated in ivory-coloured Polyester and fibreglass, with light blue board. With 2 handrails in Stainless Steel. Non-slip board and steps. Supplied with anchoring fixtures.

	Code	Standard Packaging	Standard Weight kg	Standard Volume m ³
Length 2 m Height 0.55 m Width 0.4 m	00068	1	38.0	0.850
Length 2.5 m Height 0.75 m Width 0.46 m	00069	1	68.0	1.380



Code 00068



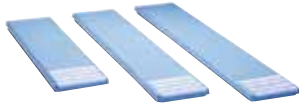
Code 00069



DIVING & SPRINGBOARDS



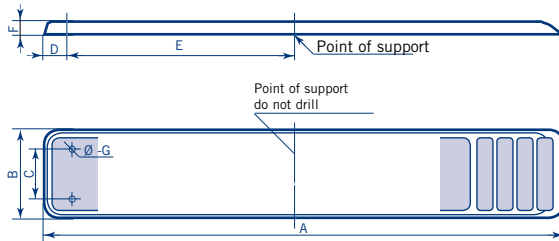
Diving boards



Polyester and fibreglass boards with new patented non-slip surface in blue. Anchoring fixtures are not supplied.

- Width 0.40 m
- Length 1.8 m
- Length 2.0 m
- Length 2.3 m
- Width 0.46 m
- Length 2.5 m
- Length 3.2 m

Code	Standard Packaging	Standard Weight kg	Standard Volume m ³
00061	1	16.0	0.046
00062	1	18.0	0.050
00063	1	22.0	0.060
00064	1	31.0	0.080
00065	1	46.0	0.100



Code	Board	A	B	C	D	E	F	Ø	G
00061	1.80 mts.	1800	390	247	80	910	30	16	M-14
00062	2.00 mts.	2000	390	247	80	940	30	16	M-14
00063	2.30 mts.	2300	390	247	80	1150	30	16	M-14
00064	2.50 mts.	2500	465	290	125	1225	30	-	min. M-16
00065	3.20 mts.	3200	465		125	1540	30	-	min. M-16



Diving board supports



In polished Stainless Steel AISI-304, Ø 43 mm tube. With platform fixing bolts.

For boards up to 2.30 m in length

Code	Standard Packaging	Standard Weight kg	Standard Volume m ³
14586	1	8.0	0.040

SLIDES

Pranaslide model

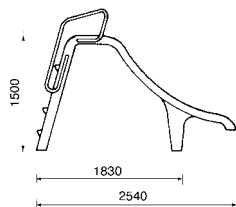
Light blue polyester and fibreglass slide. Grab rails in white painted Aluminium. Fitted with water supply connection to ease sliding. Supplied with anchoring fixtures.



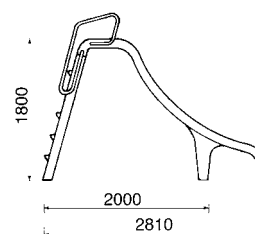
- Height 1.50 m
- Height 1.80 m

Code	Standard Packaging	Standard Weight kg	Standard Volume m ³
00085	1	62.0	1.214
00086	1	70.0	1.368

Code 00085



Code 00086

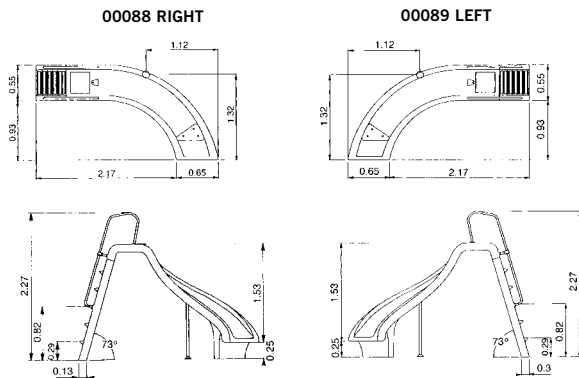


SLIDES

Curved model

Light blue Polyester and fibreglass slide. Grab rails in white painted aluminium. Fitted with water supply connection to ease sliding. Supplied with anchoring fixtures.

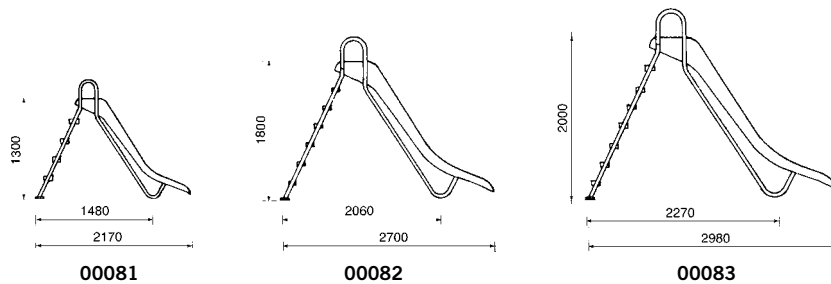
	Code	Standard Packaging	Standard Weight kg	Standard Volume m ³
Right curve, height 1.78 m	00088	1	83.0	2.913
Left curve, height 1.78 m	00089	1	83.0	2.913



Straight model

Light blue Polyester and fibreglass slide. Steps in Polypropylene and fibreglass. Polished Stainless Steel handrails. Fitted with water supply connection to ease sliding. Supplied with anchoring fixtures.

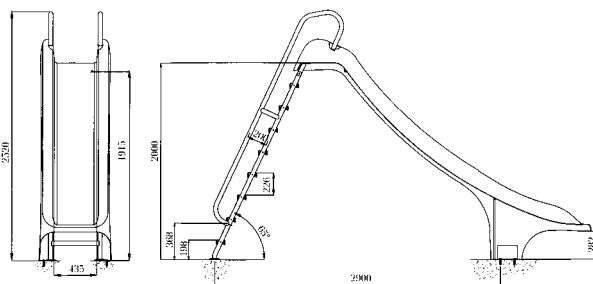
	Code	Standard Packaging	Standard Weight kg	Standard Volume m ³
Height 1.30 m	00081	1	31.0	0.550
Height 1.80 m	00082	1	38.0	0.850
Height 2.00 m	00083	1	44.0	0.750



Slides

White coloured slide made of polyester, reinforced with fibreglass. Steps in Polypropylene and fibreglass. Handrails in Stainless Steel. Supplied with water jet. Height 2 m. Fitted with anchoring fixtures.

	Code	Standard Packaging	Standard Weight kg	Standard Volume m ³
Straight	18543	1	-	3.000
Left curve	18545	1	-	3.000





ASTRALPOOL SIGNATURE SHOWERS



new Pluvium shower

Contemporary shower with an elegant and modern look due to the minimalist design and high quality materials used. Designed to offer the greatest sense of relaxation and well-being. Highly durable Ipe wood combined with high resistance glossy stainless steel. Rainfall System for a relaxing effect. Adjustable shower head for greater user comfort and enhanced use of water. Mixer valve for hot and cold water control Shower head with anti-limescale system that provides greater durability. Optional shower tray for a perfect finish.

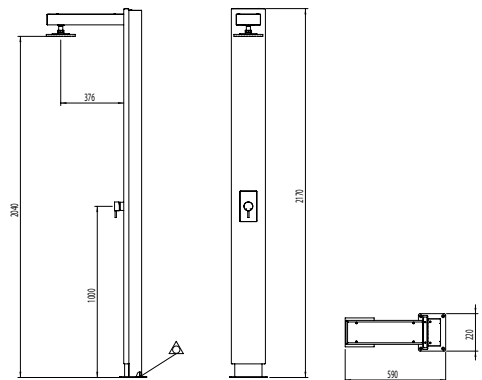
	Code	Standard Packaging	Standard Weight kg	Standard Volume m ³
Pluvium shower with shower tray	43583	1	-	-
Pluvium shower without shower tray	43432	1	-	-



SHOWER HEAD



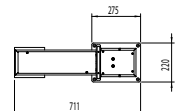
MIXER VALVE



new Pluvium Solar shower without shower tray

Made with high quality materials such as wood IPE and satin finish AISI 316 Stainless steel, which all give a longer life and greater resistance to weathering and corrosion. The aluminum water tank has a capacity for 30 litres of water. Shower head with swiveling Calc system that increases user comfort. A single lever controls hot and cold water. Flow rate limiter which reduces 40% water consumption in the shower flow pressure above 3 bars.

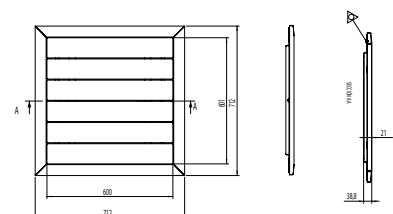
	Code	Standard Packaging	Standard Weight kg	Standard Volume m ³
Pluvium solar shower without shower tray	43435	1	28	-



new Pluvium shower tray

Shower tray for the Pluvium shower in wood IPE and satin finish AISI 316 stainless steel. its minimalist and compact design provides an elegant and modern image for the pool surround.

	Code	Standard Packaging	Standard Weight kg	Standard Volume m ³
Pluvium shower tray	43434	1	-	-



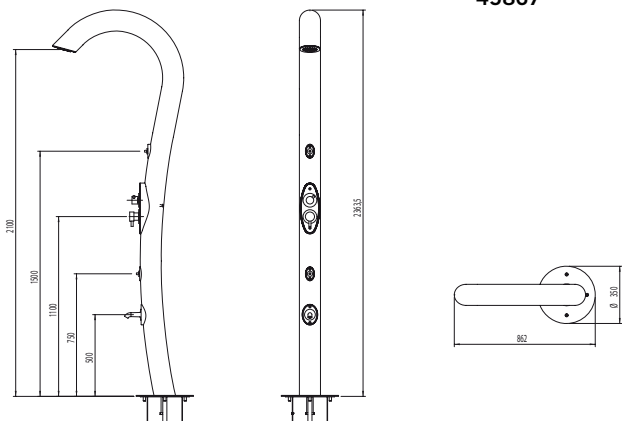
SHOWERS

Misty Art shower

new

Shower in a original design made of satin finish stainless steel AISI 316. It incorporates an anti-scale spray, two fogging nozzles, 1 mixing valve and a footbath tap.

Code	Standard Packaging	Standard Weight kg	Standard Volume m ³
45867	1	35	-



Luxe shower range

New advanced design Luxe range of showers in S.S. AISI-304. Easy access to inner connections and easy anchor fixing. **Options:** anchor for embedding, set of support fixings for assembling in sets of 2, 3, or 4 Luxe showers. Height (shower head to ground): 2 m.

	Code	Standard Packaging	Standard Weight kg	Standard Volume m ³
Luxe shower with timer	25334	1	8.0	0.11
Luxe shower with hot and cold mixer tap	25335	1	8.0	0.11
Luxe shower with plastic knob	25336	1	8.0	0.11
Options:				
Luxe shower anchoring fixture	25337	1	0.7	0.001
Central support plate	25338	1	0.4	0.001
Shower extension	26170	1	0.8	0.004

- Luxe shower with timer
- Luxe shower with hot and cold mixer tap
- Luxe shower with plastic knob
- Options:**
- Luxe shower anchoring fixture
- Central support plate
- Shower extension



TIMER



MIXER TAP



KNOB



SHOWER HEAD

Luxe shower assembly kit	Code 25338	Code 25337	Code 26170
2 shower assembly	1 uni.	2 uni.	-
3 shower assembly	1 uni.	3 uni.	1 uni.
4 shower assembly	1 uni.	4 uni.	2 uni.

Examples of assembly:



25337



25338

26170

ANCHORING FIXTURES



Two shower heads



Three shower heads



Four shower heads

SHOWERS

Solar shower with a flexible 20 litre tank

A shower in painted steel, which with a single cold water tap, heats up by means of a flexible 20 litre accumulator tank thus taking advantage of the solar energy. With 2 valves (cold/hot) and a chromed brass nozzle. Attaches to the ground by means of anchoring screws and plugs.



	Code	Standard Packaging	Standard Weight kg	Standard Volume m ³
Height (shower head to ground): 2.10 m	34312	1	15.4	0.089



SHOWER HEAD



KNOB

ECO solar shower with 30 litre tank

Shower in painted steel, which with a single cold water tap, heats up by means of a 30 litre aluminium accumulator tank thus taking advantage of the solar energy. Adjustable massage shower nozzle with 3 functions and an anti-lime membrane. A water flow limiter device is incorporated, thus reducing consumption by approximately 50%. With 2 valves (cold/hot). Water drain plug. 1/2" inner thread connection. Attaches to the ground by means of anchoring screws and plugs.



	Code	Standard Packaging	Standard Weight kg	Standard Volume m ³
Height (shower head to ground): 2 m	36848	1	12.0	0.16



SHOWER HEAD



KNOB

Solar shower

In polished Stainless Steel AISI-304. With a single water inlet. With a single cold water tap, it heats up by means of a 35 or 50 litre aluminium accumulator tank thus taking advantage of the solar energy. Has 2 mixer taps and swivel shower head. Quick fixing water connection. Fixed to ground with screws and plugs.



	Code	Standard Packaging	Standard Weight kg	Standard Volume m ³
35 L. Height (shower head to ground): 2.10 m	15840	1	16.9	0.13
50 L. Height (shower head to ground): 2.10 m	33828	1	21.3	0.193



SHOWER HEAD



KNOB

SHOWERS

Shower with 1 shower head and 1 valve

In Stainless Steel AISI-304, Ø 43 mm pipe. 00107 anchoring fixture included.

	Code	Standard Packaging	Standard Weight kg	Standard Volume m ³
Height (shower head to ground): 2.00 m	00091	1	5.6	0.05



SHOWER HEAD



KNOB



Shower with 1 shower head and 1 automatic timer valve

In Stainless Steel AISI-304, Ø 63 mm pipe. 27333 anchoring fixture included.

	Code	Standard Packaging	Standard Weight kg	Standard Volume m ³
Height (shower head to ground): 2.00 m	00095	1	7.2	0.05



SHOWER HEAD



**AUTOMATIC
TIMER VALVE**



Shower with 1 shower head, 1 valve and 1 footwash

In Stainless Steel AISI-304, Ø 43 mm pipe. 00107 anchoring fixture included.

	Code	Standard Packaging	Standard Weight kg	Standard Volume m ³
Height (shower head to ground): 2.00 m	00092	1	6.0	0.05



SHOWER HEAD



KNOB



FOOTWASH



SHOWERS



Shower with 1 shower head and 2 valves

For hot & cold water. In Stainless Steel AISI-304, Ø 63 mm pipe. Anchoring not allowed.

	Code	Standard Packaging	Standard Weight kg	Standard Volume m ³
Height (shower head to ground): 2.00 m	00096	1	7.8	0.05



SHOWER HEAD



MIXER TAPS



Shower with 1 shower head, footwash and automatic timer valve

In Stainless Steel AISI-304, Ø 63 mm pipe. 27333 anchoring fixture included.

	Code	Standard Packaging	Standard Weight kg	Standard Volume m ³
Height (shower head to ground): 2 m	15841	1	7.3	0.05



SHOWER HEAD



AUTOMATIC
TIMER VALVE



FOOTWASH



Shower with 1 shower head and 1 mixer valve

For hot & cold water. In Stainless Steel AISI-304, bright polished finish. Anchoring fixtures included. Base dimensions 185 x 250 mm.

	Code	Standard Packaging	Standard Weight kg	Standard Volume m ³
Height (shower head to ground): 2 m	00090	1	40.0	0.27



SHOWER HEAD



MIXER VALVE

SHOWERS



Shower with twinheads and 2 valves

In Stainless Steel AISI-304, Ø 63 mm pipe. 27333 anchoring fixture included.

	Code	Standard Packaging	Standard Weight kg	Standard Volume m ³
Height (shower head to ground): 2 m	00098	1	13.9	0.25



SHOWER HEAD



MIXER VALVES



Shower with twinheads and 2 timer press knobs

In Stainless Steel AISI-304, Ø 63 mm pipe. 27333 anchoring fixture included.

	Code	Standard Packaging	Standard Weight kg	Standard Volume m ³
Height (shower head to ground): 2.20 m	19947	1	14.91	0.25



SHOWER HEAD



**AUTOMATIC
TIMER VALVE**



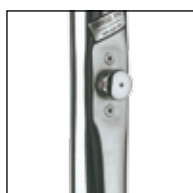
Shower with twinheads and 2 timer press knobs

Designed for public pools. In Stainless Steel AISI-316. Ø 129 mm pipe. Anchoring fixtures included.

	Code	Standard Packaging	Standard Weight kg	Standard Volume m ³
Height (shower head to ground): 2.35 m	08728	1	42.8	0.94



SHOWER HEAD



**AUTOMATIC
TIMER VALVE**



SHOWERS



Shower with 3 shower heads and 3 valves

In Stainless Steel AISI-304, Ø 84 mm pipe. Anchoring fixtures included.

	Code	Standard Packaging	Standard Weight kg	Standard Volume m ³
Height (shower head to ground): 2 m	00094	1	23.82	0.027



SHOWER HEADS



VALVE KNOB



Shower with 3 shower heads and 3 automatic timer valves

In Stainless Steel AISI-304, Ø 129 mm pipe. Anchoring fixtures included. Designed for public pools.

	Code	Standard Packaging	Standard Weight kg	Standard Volume m ³
Height (shower head to ground): 2.10 m	00097	1	29.39	0.27



SHOWER HEADS



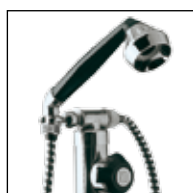
AUTOMATIC
TIMER VALVE



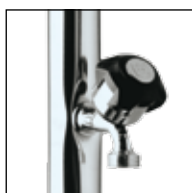
Shower with detachable shower head and footwash

In Stainless Steel AISI-304, Ø 43 mm pipe. 00107 anchoring fixtures included.

	Code	Standard Packaging	Standard Weight kg	Standard Volume m ³
Height 1.05 m	00099	1	4.63	0.02



TELEPHONE TYPE
SHOWER



FOOTWASH

SHOWERS



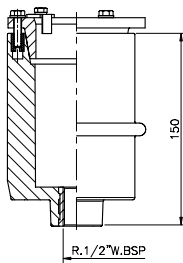
Shower anchoring fixtures

With fixing device and earth connection. Allows easy dismantling of shower.

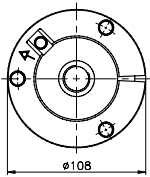
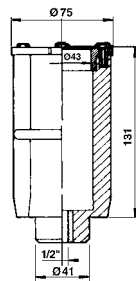
	Code	Standard Packaging	Standard Weight kg	Standard Volume m ³
Shower anchoring Ø 43 mm In PVC for models: 00091, 00092 and 00099	00107	1	0.48	0.003
Shower anchoring Ø 63 mm In PVC for models: 00095, 00098, 19947 and 15841	27333	1	1.0	0.003



27333



00107



Stainless Steel polish cleaner

Decalcifier and degreaser suitable for cleaning all Stainless Steel surfaces.

	Code	Standard Packaging	Standard Weight kg	Standard Volume m ³
1 Liter	18713	12 u.	13.8	0.023
5 Liters	16630	2 u.	22.0	0.034



SHOWER TUNNELS



Shower tunnel with 1 arch

For public pool entry. In polished Stainless Steel AISI-304 and Ø 28 mm tube. Rawl plugs and screws included.

	Code	Standard Packaging	Standard Weight kg	Standard Volume m ³
1 arch with 3 shower heads. Width: 1.2 m	00100	1	9.6	0.10
1 arch with 5 shower heads. Width: 2 m	19948	1	10.4	0.14



SHOWER HEAD



Control column

In Stainless Steel AISI-304. Controls automatically the water flow electrically. Includes 220V/24V transformer, photoelectric timer cell, and electrovalve. Rawl plugs and screws included.

	Code	Standard Packaging	Standard Weight kg	Standard Volume m ³
	00102	1	7.0	0.02

OUTDOOR FOOTWASH



Footwash for public use

Polyester resin and fibreglass base plate. 2 x 1 m with gel coat finish.

Features:

- Drain grille 3/8"
- Overflow and water inlet connection 3/8"
- Non-slip surface.
- Angled bottom plate to prevent water build up.



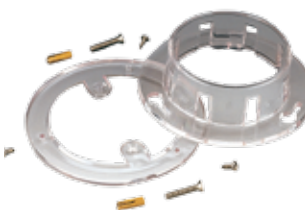
	Code	Standard Packaging	Standard Weight kg	Standard Volume m ³
Blue colour	21255	1	4.0	0.91
White colour	21255CLO7	1	4.0	0.91



Disinfectant dispenser

Designed to be installed to the footwash, (can be screwed or glued). To place a 200 gr Chlorine tablet to disinfect the water. Includes locking screws, to prevent opening as well as assuring safety to the user.

	Code	Standard Packaging	Standard Weight kg	Standard Volume m ³
	25356	-	-	-



SHOWERS - SHOWER TRAYS

Relax model shower tray

Dimensions 80 cm x 90 cm. Large size drain grille in Stainless Steel positioned away from standing area. Tray in polyester and fibreglass with non-slip pattern and gel-coat finish.



	Code	Standard Packaging	Standard Weight kg	Standard Volume m ³
With anchoring fixture Ø 43 mm For showers 00091, 00092 and 00099	20066	1	9.0	0.143

Classic model shower tray

Dimensions 100 cm x 80 cm. Large size drain grille in Stainless Steel. Tray in Polyester and fibreglass with non-slip pattern and gel-coat finish.



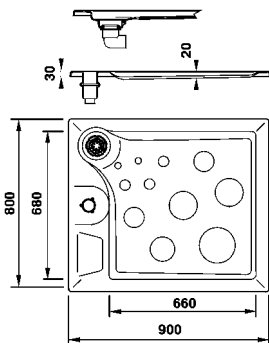
	Code	Standard Packaging	Standard Weight kg	Standard Volume m ³
With anchoring fixture Ø 43 mm For showers 00091, 00092 and 00099	19723	1	10.0	0.143

Shower tray

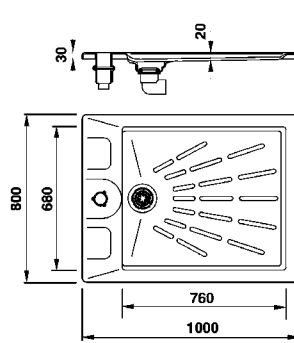
Dimensions 80 cm x 80 cm. with adjustable bottom drain. Drain grille Ø 130 mm, connection Ø 50 mm. Tray in Polyester and fibreglass.



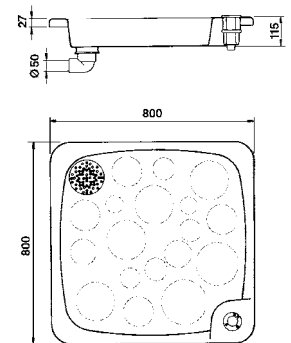
	Code	Standard Packaging	Standard Weight kg	Standard Volume m ³
With anchoring fixture Ø 43 mm For showers 00091, 00092 and 00099	00103	1	11.0	0.120



20066



19723



00103

OVERFLOW GRATINGS

GENERAL NOTE FOR ALL MODELS

Made of stabilised Polypropylene against U.V. rays. Standard white colour. Please enquire for other colours.

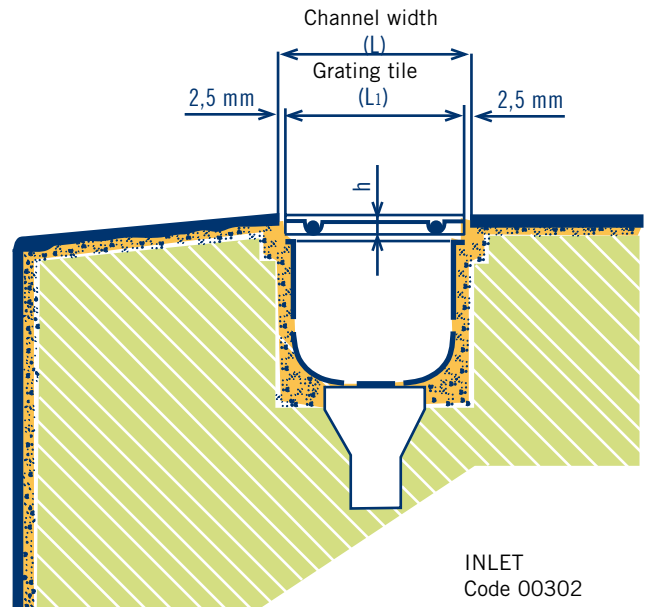
These are supplied as modules of gratings for straight or curved runs (outer radius of 1 or 2 metres). The gratings click together with a male-female pressure fit permitting a certain amount of flexibility in assembly which absorbs any expansion which may occur when the tiles are exposed to heat fluctuations.

For all types of gratings it is necessary to construct the channel 5 mm wider than the grating itself, to allow for ease of removal and for expansion.

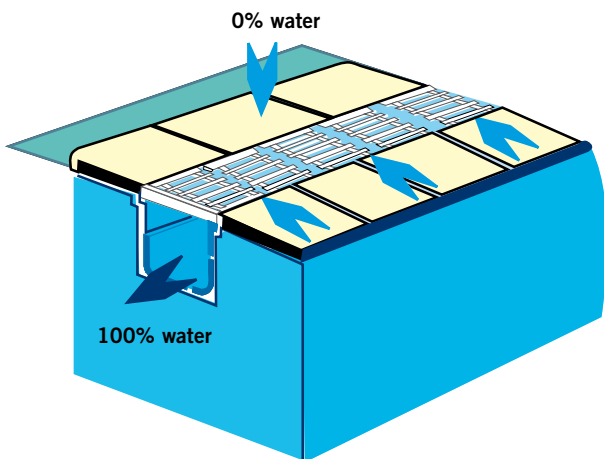
Channel width	Grating width
200.....	195
250.....	245
300.....	295
350.....	345

Height of grating (h) varies according to model.

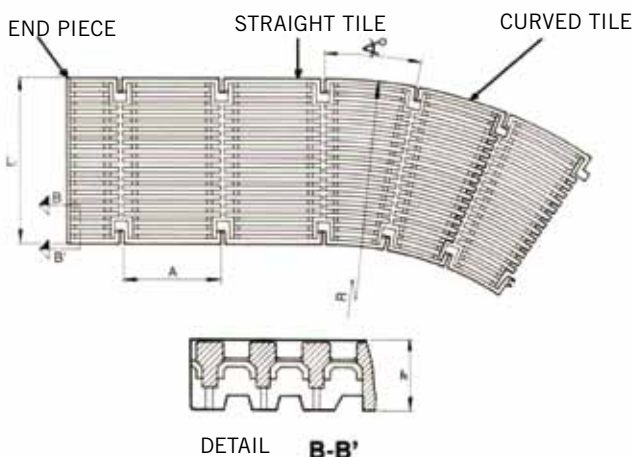
- Longitudinal model h = 24 mm
- Transversal model h = 22 mm and h = 35 mm



LONGITUDINAL MODEL



The longitudinal design of the tiles ensures that any excess water from the pool is not allowed to overflow onto the pool deck, maintaining the area dry.



	Model	L	L1	h	A	↯r.1m.	↯r.2m.
STRAIGHT TILE	05581	200	195	24	206	-	-
	05582	250	245	24	206	-	-
	05583	300	295	24	206	-	-
	05584	350	345	24	206	-	-
END PIECE	06420	200	195	24	-	-	-
	06421	250	245	24	-	-	-
	06422	300	295	24	-	-	-
	06423	350	345	24	-	-	-

OVERFLOW GRATINGS



Parallel grating tile

Made of PP, stabilised against UV rays. Gratings are locked together with male-female hooks (5 units = 1024 m) Their flexibility allows them to bend up to a 5 m radius.

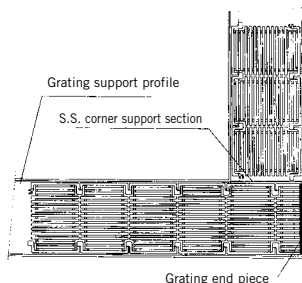
	Code	Standard Packaging	Standard Weight kg	Standard Volume m ³
Height 24 mm, width 195 mm	05581	45	16.2	0.080
Height 24 mm, width 245 mm	05582	29	13.4	0.080
Height 24 mm, width 295 mm	05583	28	15.6	0.080
Height 24 mm, width 345 mm	05584	19	13.2	0.080



End piece kit for parallel grating

AISI-304 slate, made of PP with chemical stabilizers to protect from UV rays. Made to adapt to the last tile in case it cutting is needed.

	Code	Standard Packaging	Standard Weight kg	Standard Volume m ³
Height 24 mm, width 195 mm	16064	1	0.380	0.001
Height 24 mm, width 245 mm	16065	1	0.432	0.002
Height 24 mm, width 295 mm	16066	1	0.525	0.002
Height 24 mm, width 345 mm	16067	1	0.655	0.002



Perimeter grating

Range of overflow grating for swimming pools. Made in homopolymer Polypropylene, with additives to protect against UV rays. Available in 500 mm long modules with male-female hooks for easy and fast assembly.

	Code	Standard Packaging	Standard Weight kg	Standard Volume m ³
Longitudinal grating 0.5 m Height 22 mm. Width 195 mm	28664	20	19.9	0.080

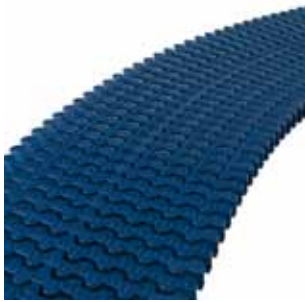


OVERFLOW GRATINGS



Modular transversal grating for curves

Made of PP stabilised against UV rays. Assembled together by modular fitting. According to EN-13451-1 standard (8 mm). Available in 5 colours. 53 units per metre. **Other grating colours can be supplied on request.** For further information, please contact your AstralPool distributor.



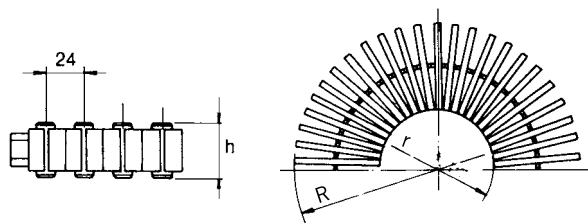
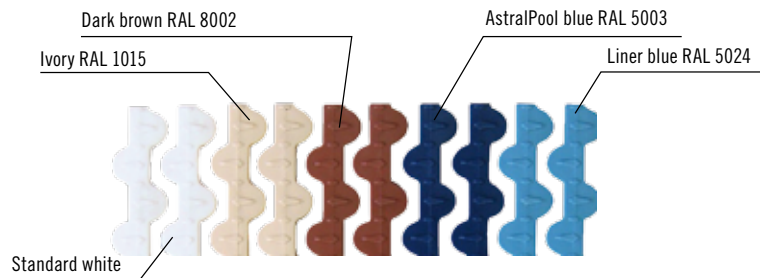
Code	Standard Packaging	Standard Weight kg	Standard Volume m ³
------	--------------------	--------------------	--------------------------------

MODULAR GRATING FOR CURVES

Height 22 mm, width 195 mm	34190	470	14.1	0.08
Height 22 mm, width 245 mm	34191	320	12.4	0.08
Height 22 mm, width 295 mm	34192	300	15.0	0.08
Height 22 mm, width 335 mm	34193	250	15.0	0.08

MODULAR GRATING FOR CURVES (REVERSIBLE)

Height 35 mm, width 195 mm	34194	450	16.0	0.08
Height 35 mm, width 245 mm	34195	300	13.7	0.08
Height 35 mm, width 295 mm	34196	290	17.3	0.08
Height 35 mm, width 335 mm	34197	250	17.4	0.08



Code	h	Channel Width (L)	Grating Width (L1)	R	r
34190	22	200	195	645	450
34191	22	250	245	825	580
34192	22	300	295	1055	760
34193	22	340	335	1155	820
34194	35	200	195	645	450
34195	35	250	245	825	580
34196	35	300	295	1055	760
34197	35	340	335	1155	820

Measurements in mm



Modular transversal gratings for curves

Made of PP, stabilised against UV rays. Assembled together by modular fitting (45 units per ml).

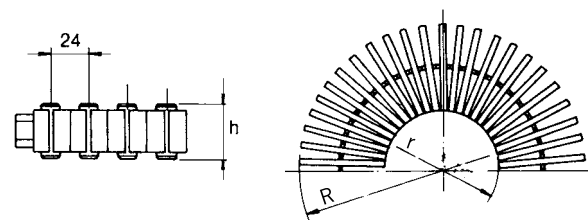
Code	Standard Packaging	Standard Weight kg	Standard Volume m ³
------	--------------------	--------------------	--------------------------------

MODULAR GRATING FOR CURVES

Height 22 mm, width 195 mm	11107	470	15.8	0.080
Height 22 mm, width 245 mm	11108	320	13.6	0.080
Height 22 mm, width 295 mm	19202	300	18.0	0.080
Height 22 mm, width 335 mm	19203	250	17.0	0.080

MODULAR GRATING FOR CURVES (REVERSIBLE)

Height 35 mm, width 195 mm	00220	450	16.5	0.080
Height 35 mm, width 245 mm	00221	300	14.3	0.080
Height 35 mm, width 295 mm	00222	290	19.3	0.080
Height 35 mm, width 335 mm	00223	250	18.1	0.080



Code	h	Channel Width (L)	Grating Width (L1)	R	r
11107	22	200	195	445	250
11108	22	250	245	545	300
19202	22	300	295	645	350
19203	22	340	335	785	450
00220	35	200	195	445	250
00221	35	250	245	545	300
00222	35	300	295	645	350
00223	35	340	335	785	450

Measurements in mm.

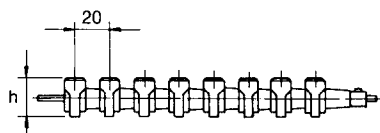
OVERFLOW GRATINGS



Transversal grating

Made of PP, stabilised against UV rays. Assembled together by a pass-through cable (49 units per metre).

	Code	Standard Packaging	Standard Weight kg	Standard Volume m ³
Height 22 mm, width 195 mm	00212	340	11.9	0.039
Height 22 mm, width 245 mm	00213	305	13.2	0.039



Code	Channel Width (L)	Grating Width (L1)	h
00212	200	195	22
00213	250	245	22



Plasticized steel cable

Ø 2.5 mm. To assemble straight modular gratings.

Code	Standard Packaging	Standard Weight kg	Standard Volume m ³
00214	1000 m	21.0	0.036



Stainless Steel AISI-316 plasticized cable

Ø 2.5 mm. To assemble straight modular gratings.

Code	Standard Packaging	Standard Weight kg	Standard Volume m ³
00215	1000 m	21.0	0.036



Locking pins for cable

Made of brass.

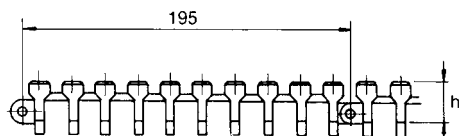
Code	Standard Packaging	Standard Weight kg	Standard Volume m ³
00216	100	1.5	0.001



Transversal grating tile

Made of PP, stabilised against UV rays. Tiles are hooked together by male-female hooks. (5 units = 0.975 m).

	Code	Standard Packaging	Standard Weight kg	Standard Volume m ³
Height 22 mm, width 245 mm	00217	52	22.8	0.080
Height 22 mm, width 295 mm	00218	45	23.1	0.080
Height 22 mm, width 335 mm	00219	38	22.0	0.080



Code	Channel Width (L)	Grating Width (L1)	h
00217	250	245	22
00218	300	295	22
00219	340	335	22



Grating support profile

Suitable for 22, 24 and 35 mm grating heights. Made of plastic. Supplied in 2 m lengths. Inside measurement 24 mm x 37 mm.

Code	Standard Packaging	Standard Weight kg	Standard Volume m ³
00224	25	13.2	0.033



OVERFLOW GRATINGS

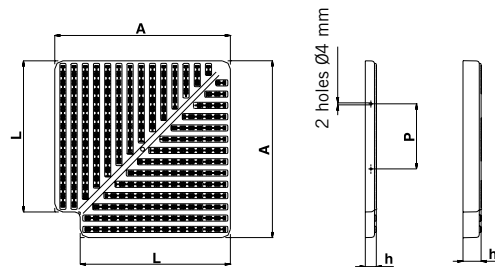


90° Corner tiles for overflow channels



Made of injected white copolymer Polypropylene.

	Code	Standard Packaging	Standard Weight kg	Standard Volume m ³
Height 22 mm, width 195 mm	22379	4	2.8	0.006
Height 22 mm, width 245 mm	22380	4	3.6	0.009
Height 22 mm, width 195 mm	22381	4	4.8	0.012
Height 22 mm, width 335 mm	22382	4	5.7	0.016
Height 35 mm, width 195 mm	22383	4	3.2	0.009
Height 35 mm, width 245 mm	22384	4	4.1	0.014
Height 35 mm, width 295 mm	22385	4	5.3	0.012
Height 35 mm, width 335 mm	22386	4	6.2	0.023

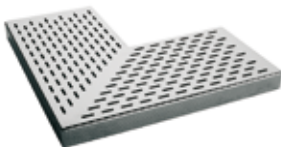


Code	A	H	L	P
22379	245	22	195	127
22380	295	22	245	127
22381	345	22	295	127
22382	385	22	335	127
22383	245	35	195	-
22384	295	35	245	-
22385	345	35	295	-
22386	385	35	335	-

Measurements in mm.



Stainless Steel longitudinal grating and Stainless Steel 90° corner



Longitudinal overflow grating, made in Stainless Steel. It is necessary to construct the channel 5mm wider than the grille itself, to allow for easy assembly.

It is made up of straight sections of AISI-304 Stainless Steel, 500 mm in length. Straight sections can be made-to-measure in order to fit the length of the swimming pool.

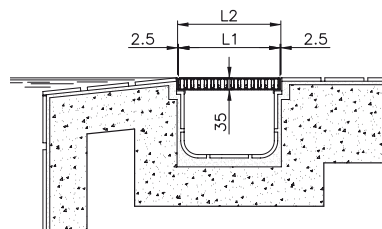
The 90° corner is made of Stainless Steel and is the perfect complement to the Stainless Steel longitudinal grating. Metal with non-slip surface. 4 models with different sizes according to the width of grating used.

Height: 35 mm.

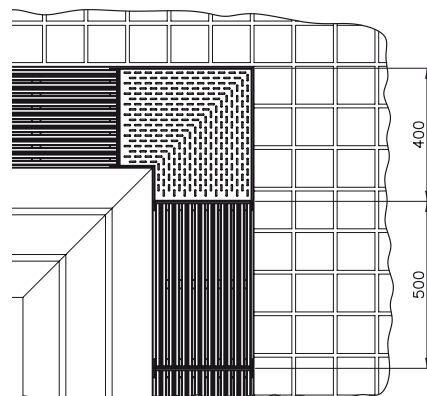
Stainless Steel longitudinal grille 195 mm
 Stainless Steel longitudinal grille 245 mm
 Stainless Steel longitudinal grille 295 mm
 Stainless Steel longitudinal grille 345 mm

Stainless Steel 90° corner 195 mm
 Stainless Steel 90° corner 245 mm
 Stainless Steel 90° corner 295 mm
 Stainless Steel 90° corner 345 mm

Code	Standard Packaging	Standard Weight kg	Standard Volume m ³
32415	-	-	-
32416	-	-	-
32417	-	-	-
32418	-	-	-
32729	-	-	-
32730	-	-	-
32731	-	-	-
32732	-	-	-



Grating code	Corner code	L1	L2
32415	32729	195	200
32416	32730	245	250
32417	32731	295	300
32418	32732	345	350



SAFETY BARRIERS

Safety barriers

These safety barriers are developed according to French Standard NF P90-306. They are available in two models. Top model, with Stainless Steel posts and glass panel and Medium model, with Stainless Steel posts and green mesh. Designed for easy assembly, these barriers prevent children under-5, animals and objects entering the area pool.

	Code	Standard Packaging	Standard Weight kg	Standard Volume m ³
Top model safety barrier (S.S. AISI-304 post with glass)				
Ø 63 mm S.S. post	32664	1	-	-
90° S.S. post	32665	1	-	-
Set of glass fixing profiles	32666	1	-	-
Glass panel	32667	1	-	-
Glass barrier door	32668	1	-	-
Medium model safety barrier (S.S. AISI-304 post with mesh)				
Ø 43 mm S.S. post	32657	1	-	-
S.S. barrier door with mesh	32660	1	-	-
1 m long mesh	32674	1	-	-

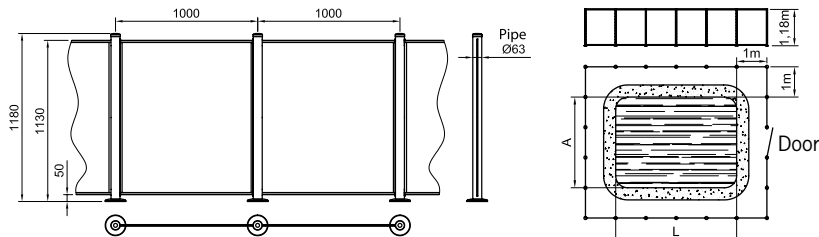


Top model

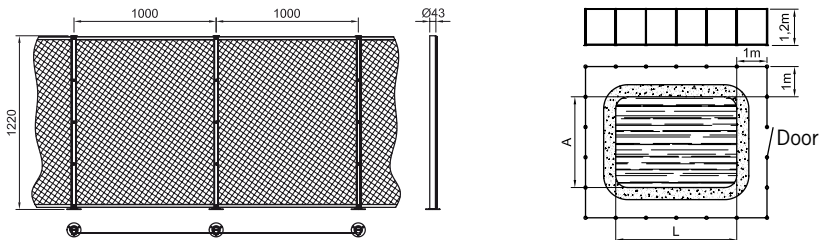


Medium model

Top model



Medium model



Pool (A x L)	Perimeter (m)	Top model					Medium model		
		32664	32665	32666	32667	32668	32657	32660	32674
3 x 6 m	26	20	4	25	25	1	24	1	26
4 x 8 m	32	26	4	31	31	1	30	1	32
5 x 10 m	38	32	4	37	37	1	36	1	38
6 x 12 m	44	38	4	43	43	1	42	1	44

SAFETY BARRIERS

Underwater Pool alarm systems



Complete range of underwater detectors to suit the needs of the pool owner. All three models available; AstralPool Basic, AstralPool Sun and AstralPool Comfort can be used with the DOMOTIC remote control device. The AstralPool underwater detector works on the principle that it is able to detect and analyse the under-water wave caused by an object or person falling or entering the pool and activate its powerful alarm siren. Complies with the French Standard NF P90-370/A1. All three alarms are fitted the pool coping and are designed to blend easily into the surroundings.

Basic Model: Underwater detector that operates on an alkaline battery. It is fixed onto the pool coping and is equipped with a powerful integrated siren. Option to install a DOMOTIC remote information device.

Sun model: Underwater detector operating on a lithium battery and a solar panel for higher autonomy. It is fixed onto the pool coping and has two alarm sirens: the first integrated into the detection unit and the second into an independent remote device (DOMOTIC) placed inside the house.

Confort model: Underwater detector which offers the user various safety and comfort data. Powered with a lithium battery and a solar panel. Fixed onto the pool coping. In addition to the integrated siren, it offers a temperature sensor and a pH probe. This data is transmitted by a secured radio link to a remote DOMOTIC device situated inside the house.

Domotic: It is a remote transmission device, designed for the convenience of the user. It consists of a packet portable unit, accessible from the house. There are 2 models: Domotic for Sun and Basic alarms for information of safety at the pool and Domotic for Comfort Model for information of safety at the pool + temperature and pH readings.

	Code	Standard Packaging	Standard Weight kg	Standard Volume m ³
Basic	37058	1	1.50	0.041
Sun	37059	1	2.25	0.041
Confort	37060	1	2.50	0.041
Domotic for Basic alarm	37061	1	-	-

WOODEN DECKING

Wooden decking for exterior

The wooden decking for exteriors makes it possible to decorate swimming pools, gardens and a wide range of spaces without the need to carry out building work. Made of hard, weatherproof Virapitá wooden strips. Mounted on a special plastic resin support that facilitates drainage.



	Code	Standard Packaging	Standard Weight kg	Standard Volume m ³
30 x 30 cm - 1 box (10 units)	42372	1	15	0.019
60 x 30 cm - 1 box (5 units)	42373	1	15	0.019